



Harbour-Link



Total Logistics Provider

HARBOUR-LINK GROUP

1	FOREWORD
2	HEAVY HAULAGE
3	HEAVY LIFT
4	EQUIPMENT RENTAL
5	CONTACT ADDRESS

page

01

02

10

29

36

HARBOUR-LINK LOGISTICS SDN. BHD. (206893-W)

Wholly owned subsidiary of Harbour-Link Group Berhad (HLGB)

Through the thriving development force in the total-logistics services, Harbour-Link Logistics Sdn. Bhd. (HLLSB) has formed and strengthened strategic alliances with joint ventures significantly in both domestic and international.

The HLLSB established mission early on to motivate and guide the many subsidiaries that now comprise the group. This mission includes an emphasis on creativity, leadership, drive and diligence, all of which serve as daily reminder of the deeper objectives of the Group. The mission statement leads HLLSB to seek new means to accomplish goals and provides motivation during times of hardship.

With the gained experience within a span of more than 25 years, we sturdily manifest the success is:

- (a) To satisfy our customers with our reliable and economical service;
- (b) To arrange advanced equipment and facilities as well as create a service system to meet the diversified needs of our customers.

The new millennium has bought us visions and futuristic prospective to penetrate into all aspect of industrialization and further enhance our better serve to our customers in Malaysia.

Towards the new era, HLLSB aims for the ACCURATE, SAFE AND EFFICIENCY.

HEAVY HAULAGE

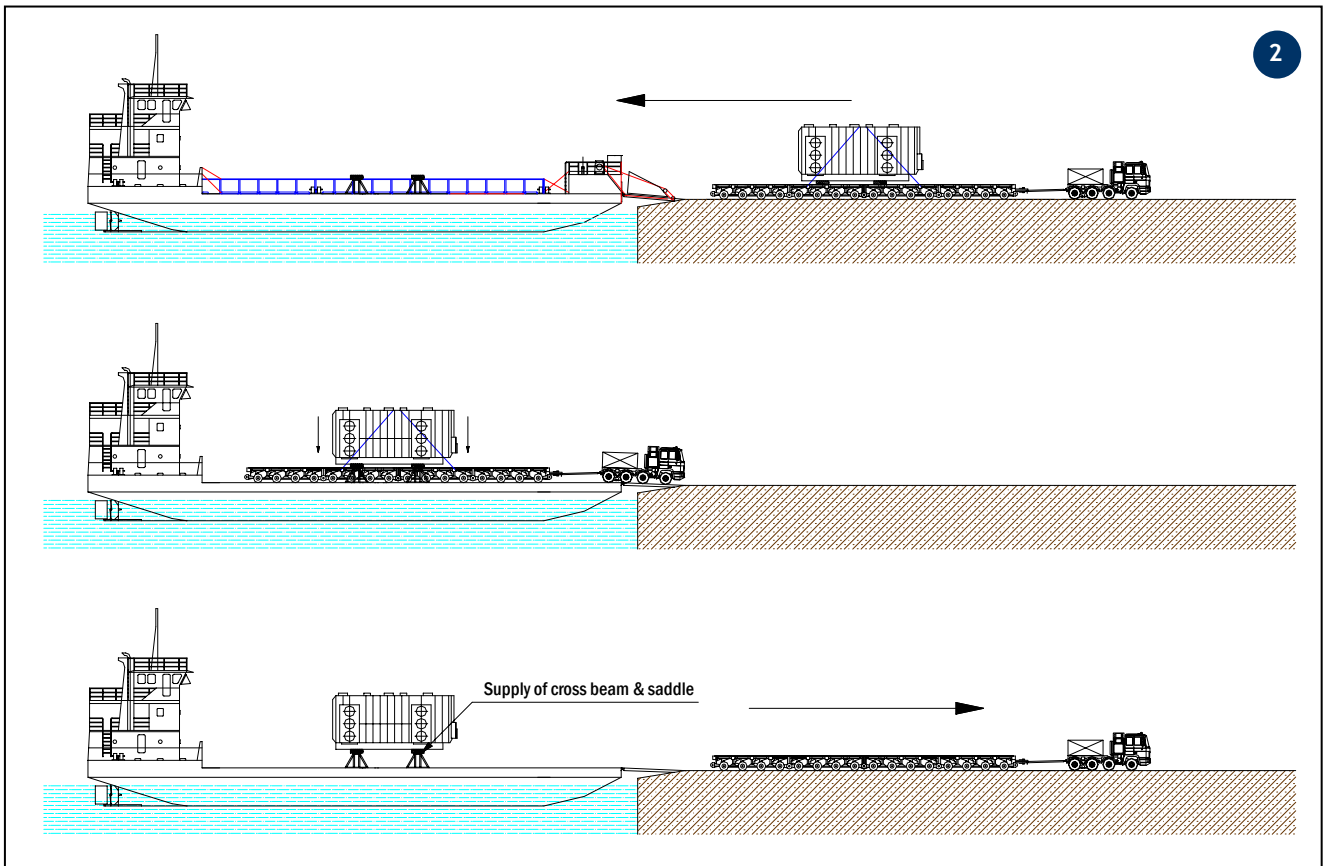
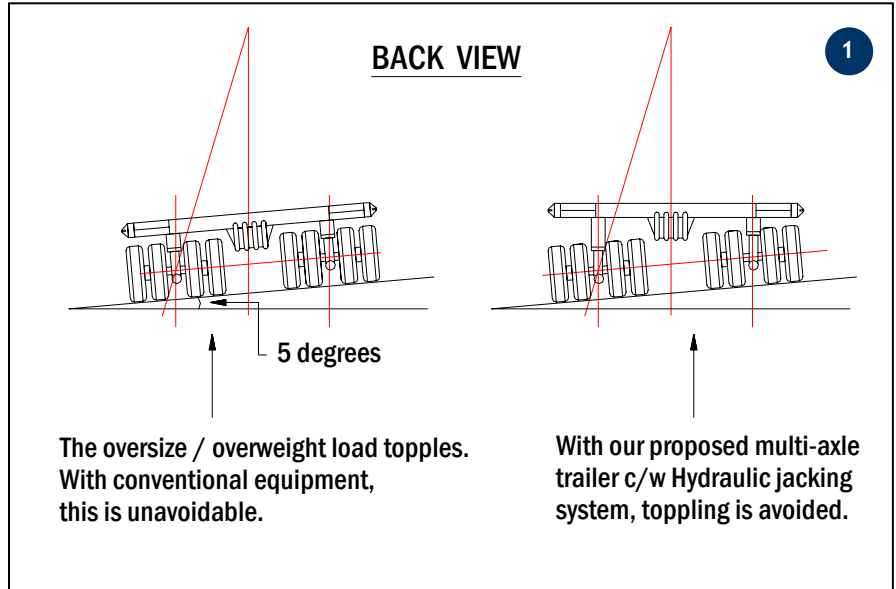


ur services cover :

Receiving cargo ex-hook vessel, Ro-Ro, barging, transportation, lifting, erection, mechanical installation, jacking / skidding / positioning for all kind of cargoes, big / small oversize and over weight.

With our skill work force and strong technical back up, we can bring your cargo climbing the hill, over the sea and across the stream all in a package.

Work plan, project management, JSA, method statement are all in one.



- 1 Technical information for Hydraulic Goldhofer trailer during Transportation
- 2 Offloading by hydraulic jacking system using trailer jack

Equipment List for Transport:

- ◆ Multi - axle trailer (Goldhofer) X 20 liners
- ◆ Multi - axle trailer (Commetto) X 6 liners
- ◆ Prime Mover (Man) X 1unit
- ◆ Prime Mover (Scania) X 3 units
- ◆ Goldhofer Drop Deck Platform (240 Ton Capacity) X 1 unit
- ◆ Self propelled multi - axle trailer (Goldhofer) X 6 liners



HEAVY HAULAGE

1

2



3



4



- 1 Transport 450 Ton vessel by 1½ module self-propelled system with turntable
- 2 Transport 260 Ton vessel by 12 axle-lines with 1½ module self-propelled
- 3 RO-RO operation at Port Wharf
- 4 Transport Shell MDS Air Separation Unit (112 Ton)